

RAL 1003 powder coated metal

Part No. 90302ZAC/90302ZAD

## Adjustable Protector kit for Radar Sensors 100 and 200 SERIES

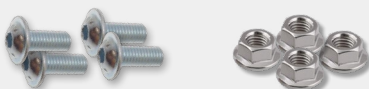
The adjustable protector kits are used for installing Inxpect Safety Radar Sensors in harsh indoor and outdoor environments and protect them from damage. The adjustable protector will work with both the 2-axis and 3-axis mounting brackets and is suitable for both 200 and 100 series.

### Material Specifications

The adjustable protector is made with RAL 1003 powder coated metal.

**Indoor version** has a 30 degree slope downward and a weight of 7.4kg (16.3lbs).

**Outdoor version** has a 20 degree slope upward and a weight of 7.4kg (16.3lbs).



Note: chemicals and substances used in proximity of the adjustable protector kit might damage its coating, generating aesthetic imperfections. However, the functionality of the device is typically unaffected. To ensure its longevity, avoid using it in environments where chemicals or substances could damage the iron structure of the protector kit.

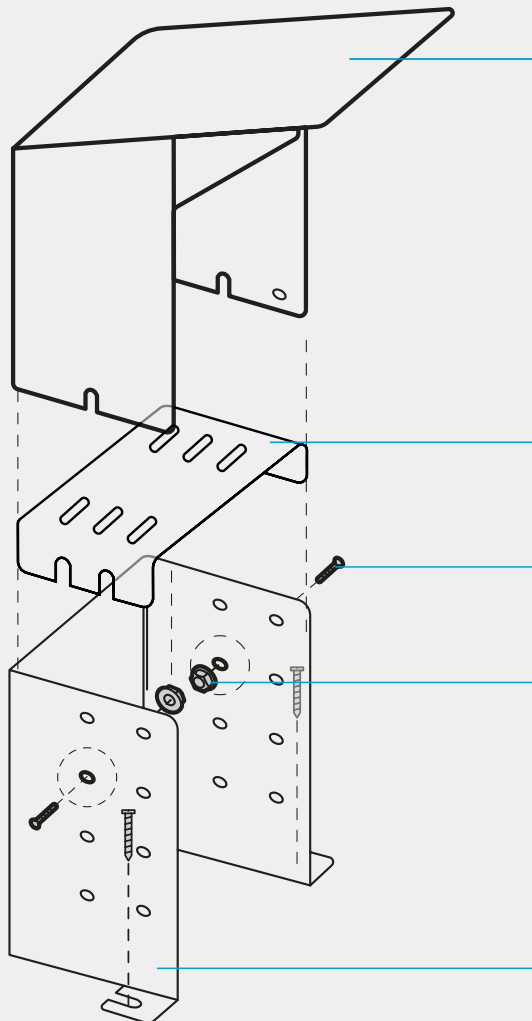
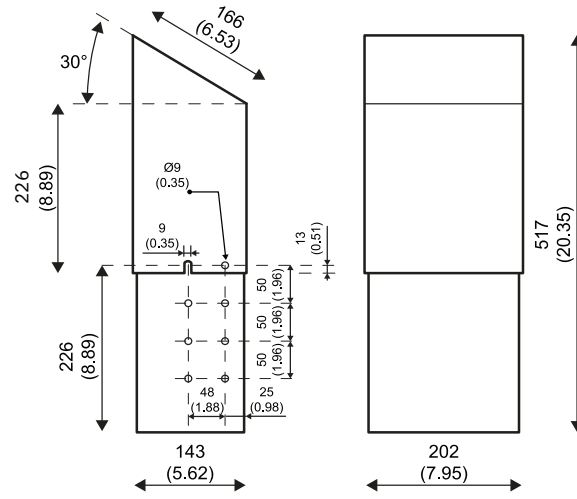
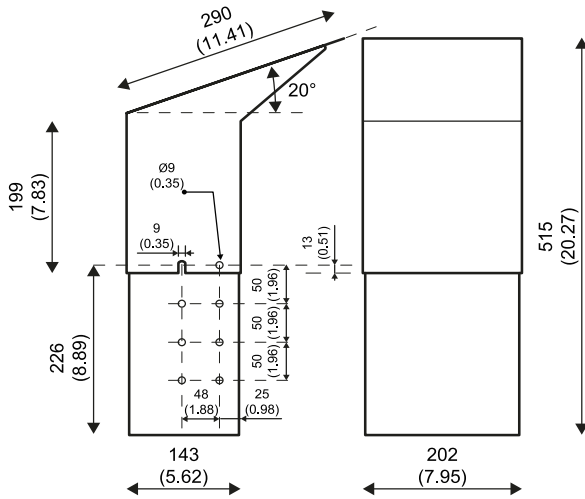
# Adjustable Protector kit

Measures



Outdoor  
90302ZAD

Indoor  
90302ZAC



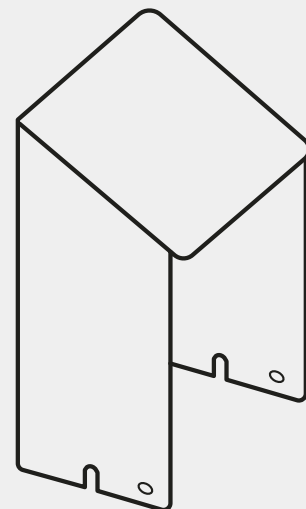
Outdoor  
Sensor cover

Adjustable  
sensor base

Screw

Nut

Protector base



Indoor  
Sensor cover